



***FUAS 1M***

***Firefighter  
Unmanned  
Aircraft  
System***

***by Sergey Mosienko***

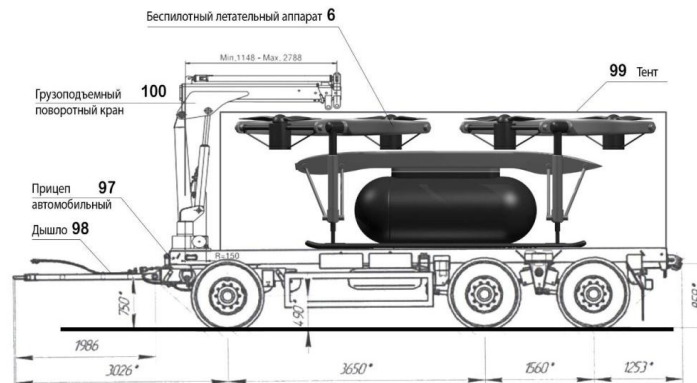
**2018**

ISBN 978-5-00077-668-1



9 785000 776681 >

# Firefighter Unmanned Aircraft System Structure

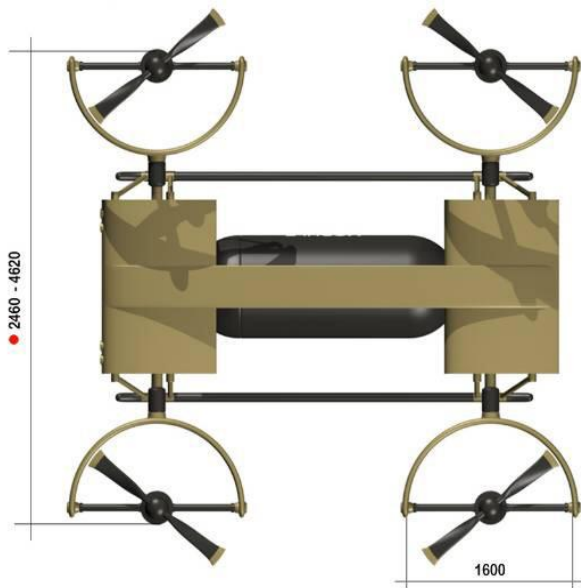
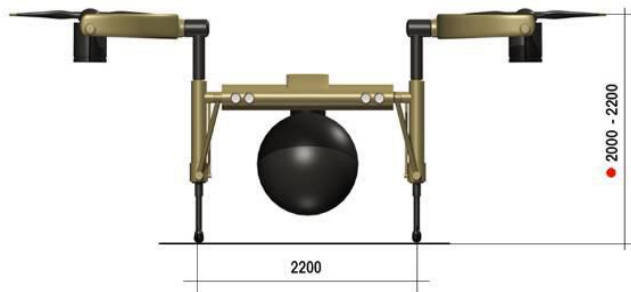
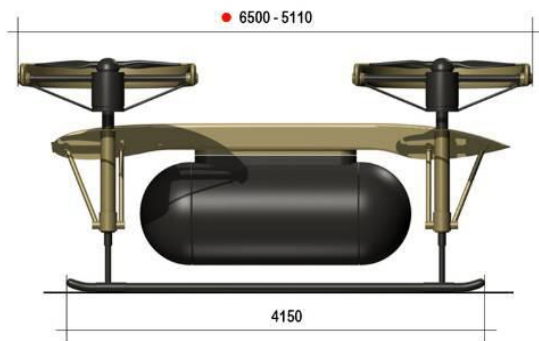


ISBN 978-5-00077-668-1



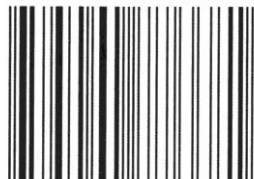
9 785000 177668 1 >

# Firefighter UAV



• размеры трансформаций

ISBN 978-5-00077-668-1



9 785000 776681 >



# Firefighter UAV



**Powder Fire-Extinguishing Module MPH**  
Protected surface 75 m<sup>2</sup> (Class A) and 58 m<sup>2</sup> (Class B)  
Protected volume 250 m<sup>3</sup> (Class A) and 58 m<sup>3</sup> (Class B)  
Installation height 12-18 m

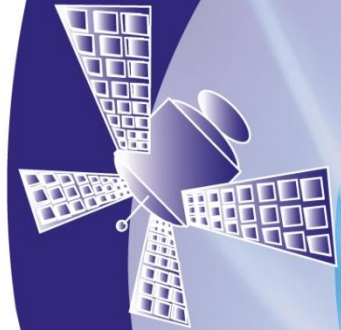
ISBN 978-5-00077-668-1



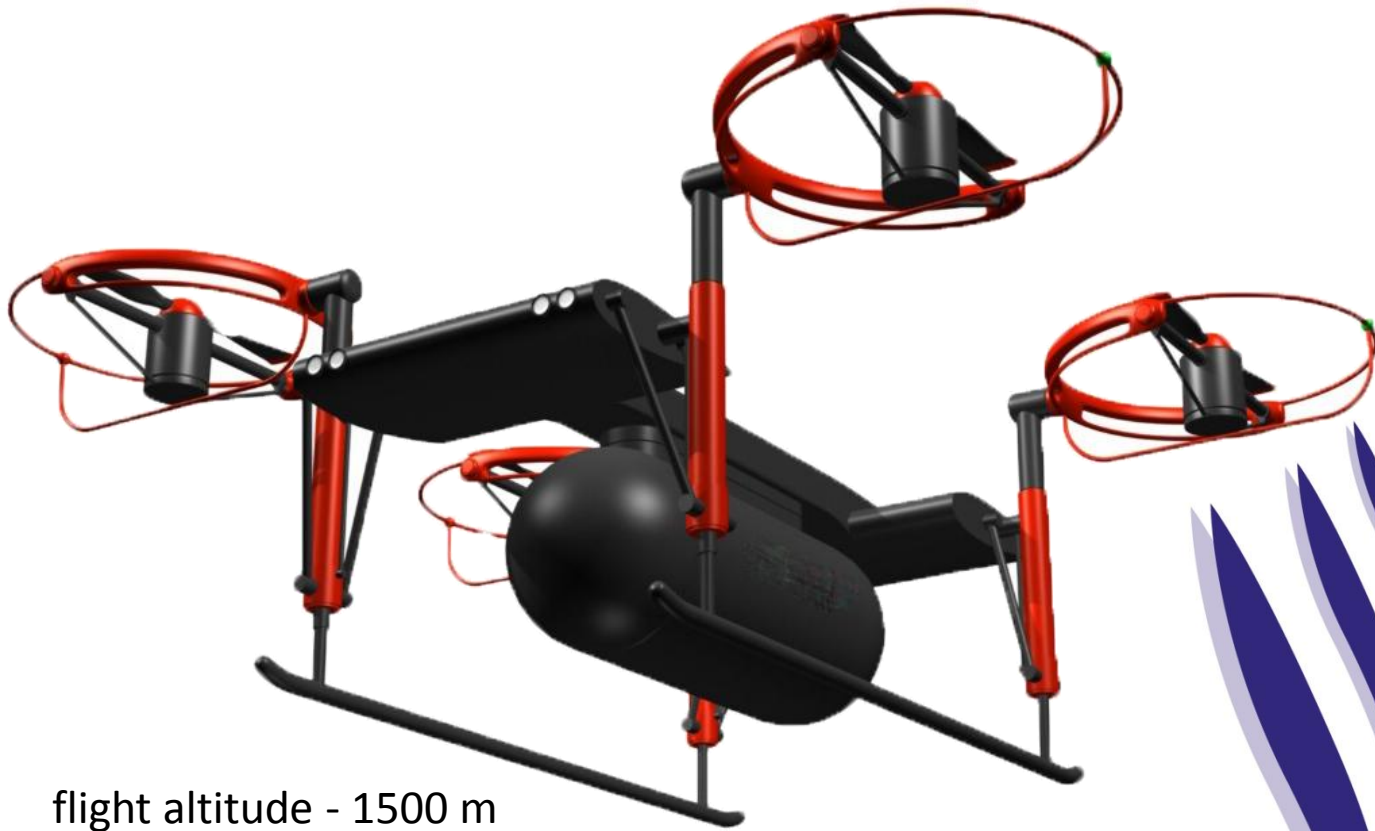
9 785000 776681 >



# MPH



TECHNICAL CHARACTERISTICS MPH-24			
Parameter name	Value		
1 Case capacity, lit	24		
2 Dimension, mm:			
Diameter	≤ 245		
Height (with installation bracket)	≤ 694		
3 Weight of the MPP, kg	≤ 36		
4 Fire extinguishing powder ISTO-1 weight , kg	22		
5 MPH fast action, s	5 + 10		
6 Operating time, s	≤ 1		
7 Pressure of membrane rupture, MPa	1,8±0,05		
8 Fire extinguishing ability of the MPH installed with a nozzle down on 20° in the room	<i>H, m</i>	<i>S, m<sup>2</sup></i>	<i>V, m<sup>3</sup></i>
8.1 For fires class A	1,0	75	250
8.2 For fires class B	1,0	58	-
9 Fire extinguishing ability of the MPH installed with a nozzle down on 5° in the room	<i>H, m</i>	<i>S, m<sup>2</sup></i>	<i>V, m<sup>3</sup></i>
9.1 For fires class A	1	70	155
9.2 Fire extinguishing length channel (cross section 2,2×2,2 ,m), m	1	32	
10 Fire extinguishing ability of the MPH in the horizontal direction at a distance of 12 to 18 m when installing MPH at a height of 1 m	1	20,9	-
11 Characteristics of the cold gas generator CGG-24(M):			
11.1 Circuit characteristics of electric triggering unit			
Safe current of testing circuit, not more than, A	0,03		
Operating current standard version of the MPH, more than, A	≥ 0,2		
Operating current special version of the MPH, more than, A	8 +16		
Electric resistance, Ohm	>100		
11.2 Burn time, s	40±2		
11.3 Initiation time, ms	3100±300		
11.4 Total weight, g	1850±30		
11.5 Total weight after activation, g	1200±50		
12. Irregularity coefficient of spraying powder K1	1,0		



flight altitude - 1500 m  
overall weight - 1500 kg  
payload capacity - 500 kg  
flight time - 3 h  
engine power - 225 kW

ISBN 978-5-00077-668-1



9 785000 776681 >





ISBN 978-5-00077-668-1



9 785000 776681 >

**Sergey Mosienko**  
[mosienko@rimco.ru](mailto:mosienko@rimco.ru)